

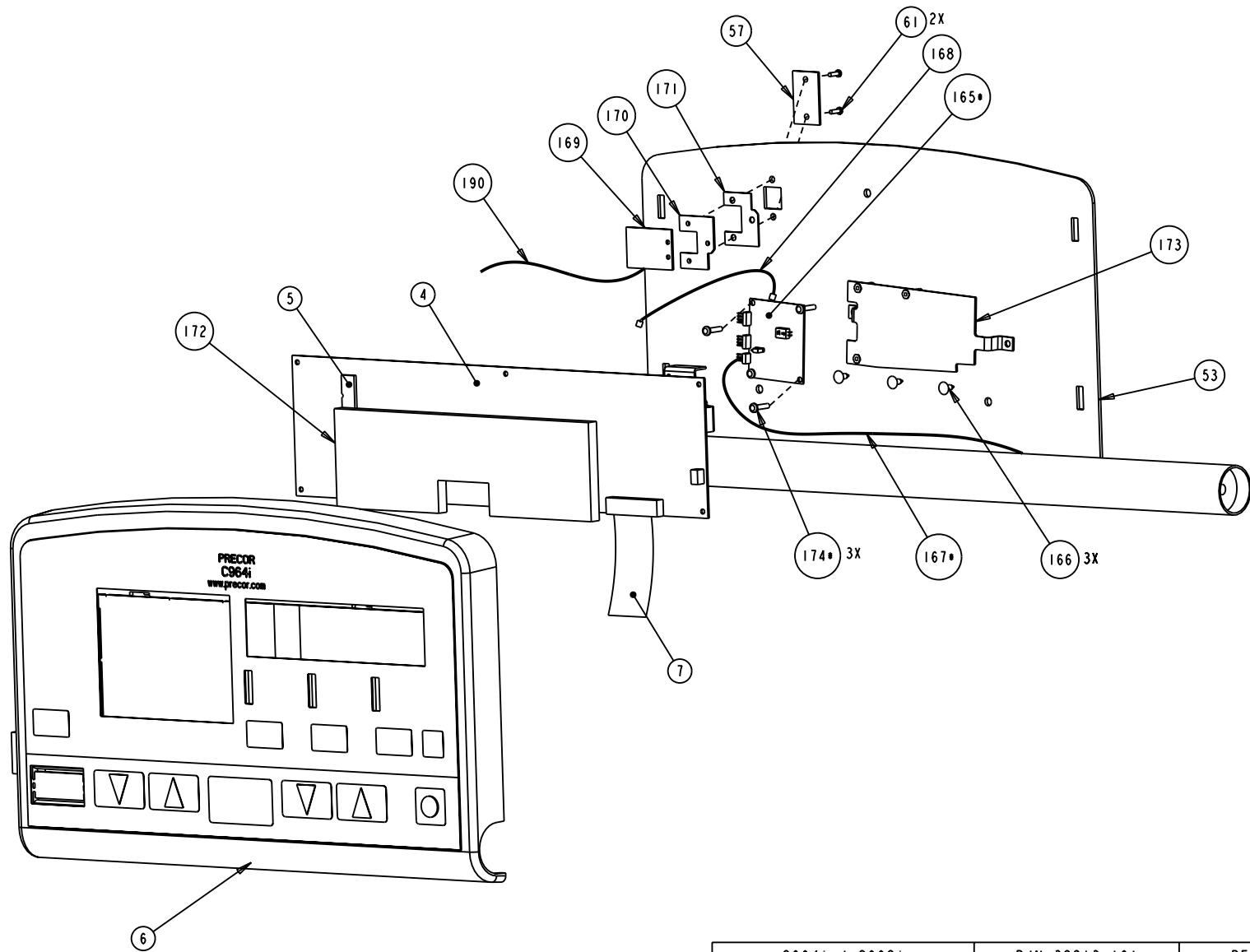
DETAIL A
SCALE 1.00

C946i ONLY

SEE DETAIL A

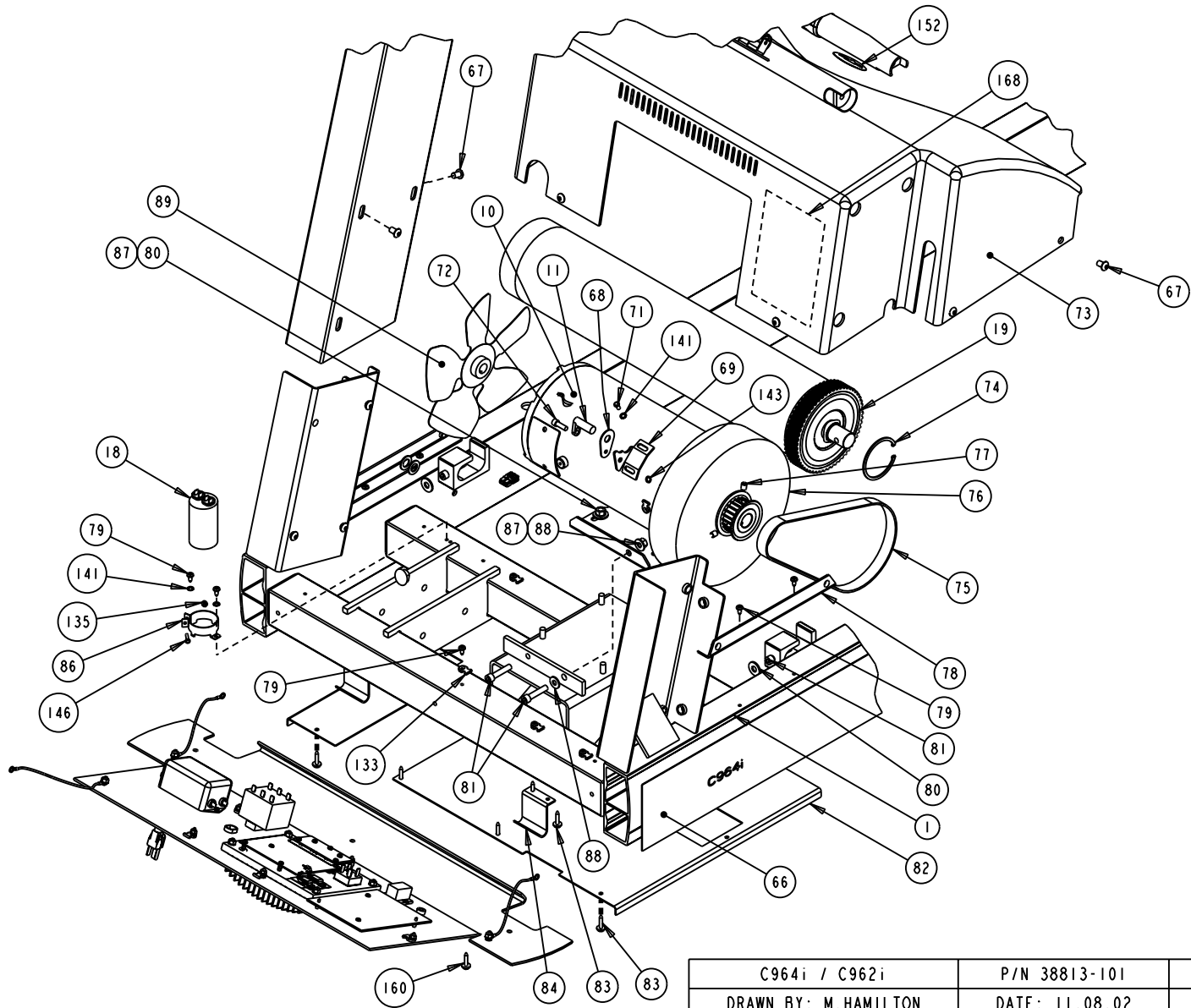
54 C946i ONLY

C964i / C962i	P/N 38813-101	REV: K
DRAWN BY: M.HAMILTON	DATE: 11.08.02	SHEET 1 OF 6

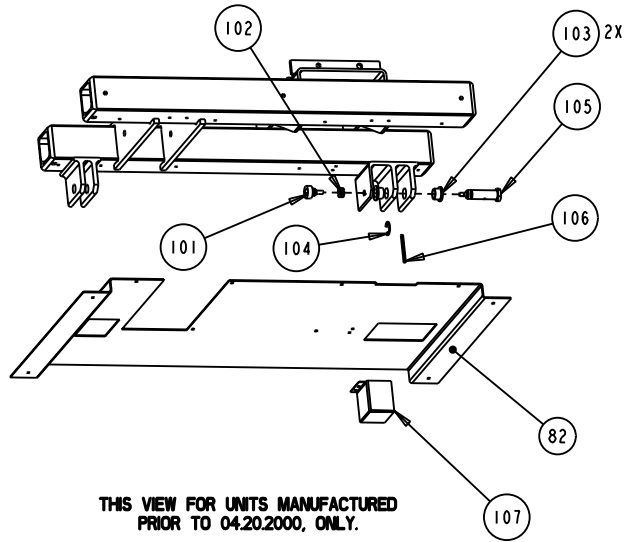


• HHR OPTION ONLY

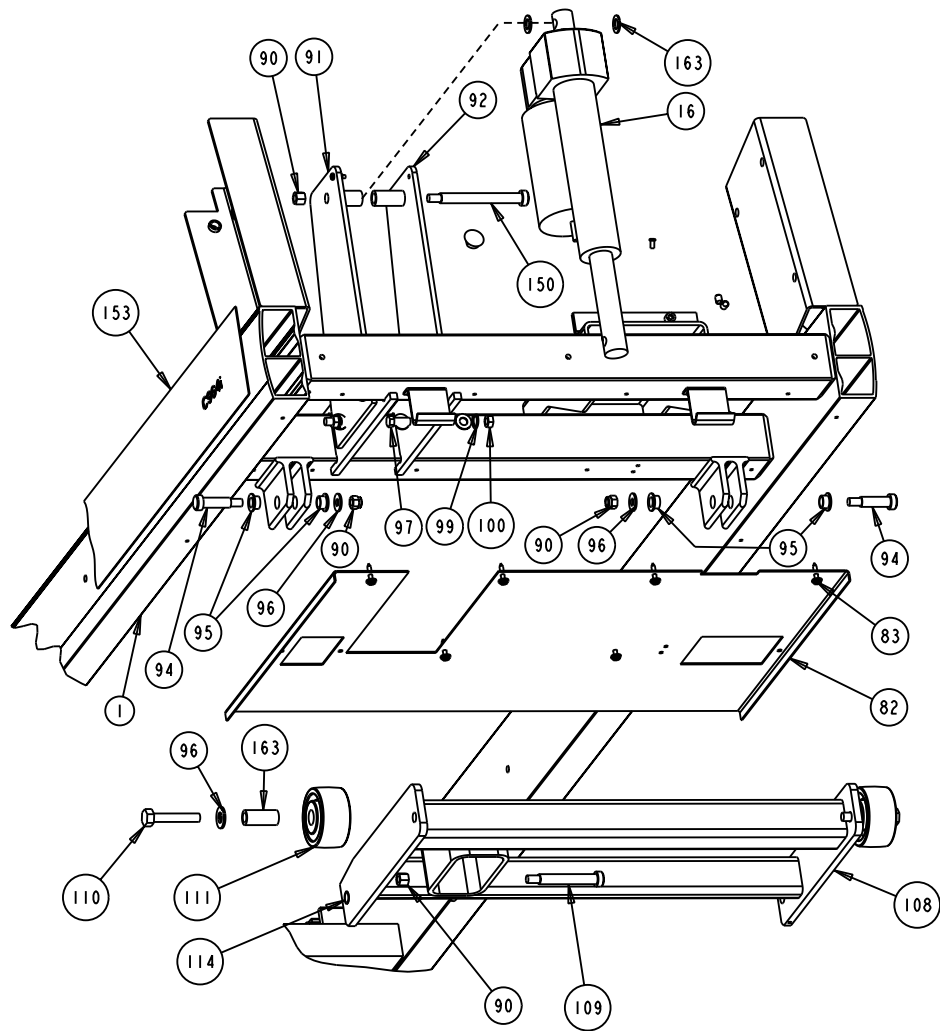
C964i / C962i	P/N 38813-101	REV: K
DRAWN BY: M.HAMILTON	DATE: 11.08.02	SHEET 2 OF 6



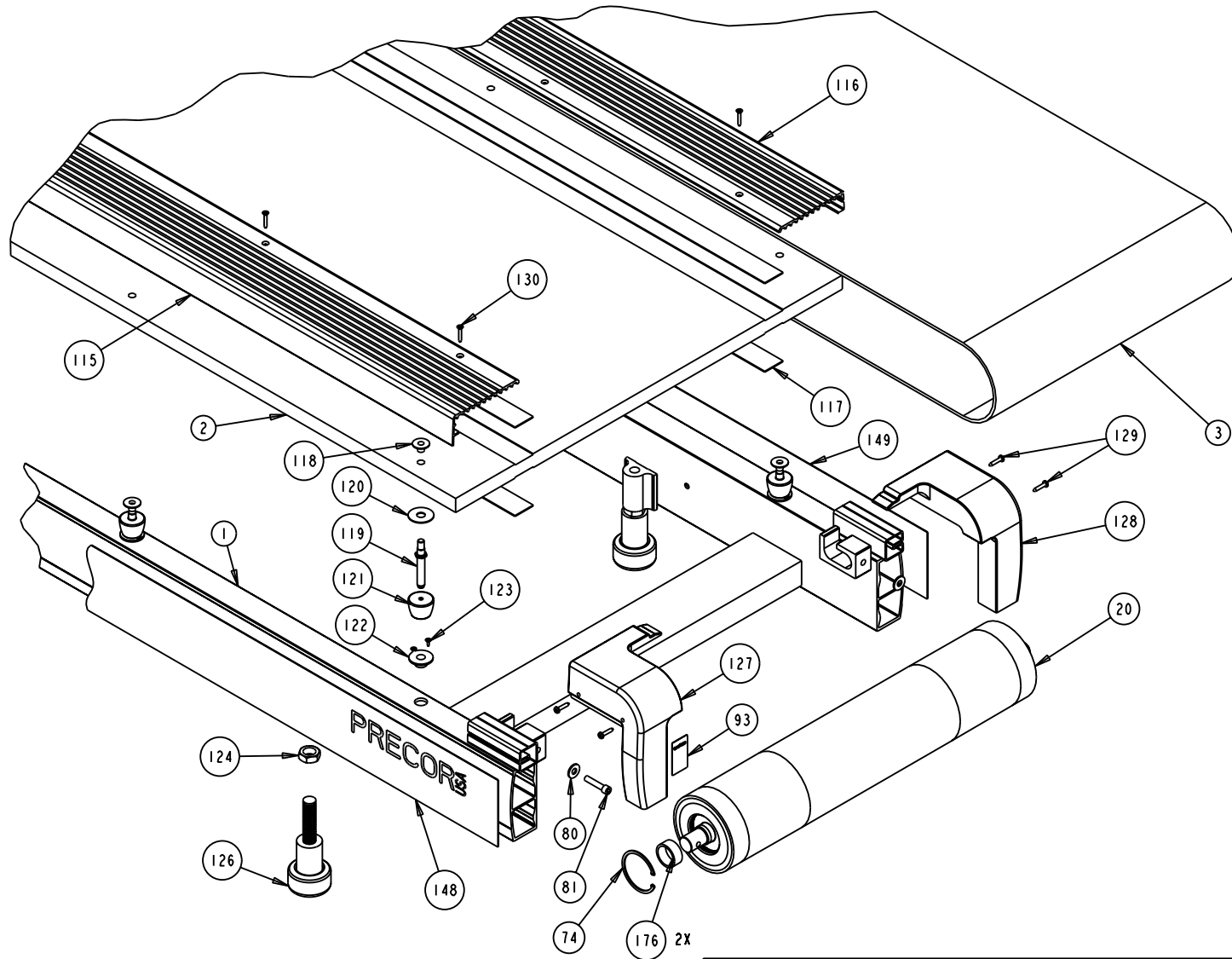
C964i / C962i	P/N 38813-101	REV: K
DRAWN BY: M.HAMILTON	DATE: 11.08.02	SHEET 3 OF 6



THIS VIEW FOR UNITS MANUFACTURED
PRIOR TO 04.20.2000, ONLY.



C964i / C962i	P/N 38813-101	REV: K
DRAWN BY: M.HAMILTON	DATE: 11.08.02	SHEET 4 OF 6



C964i / C962i	P/N 38813-101	REV: K
DRAWN BY: M.HAMILTON	DATE: 11.08.02	SHEET 5 OF 6

